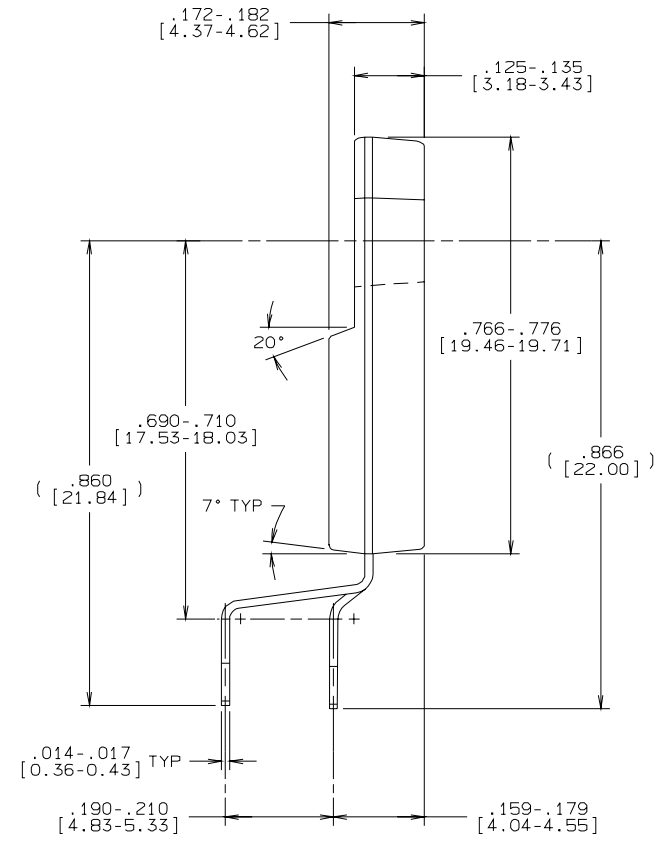
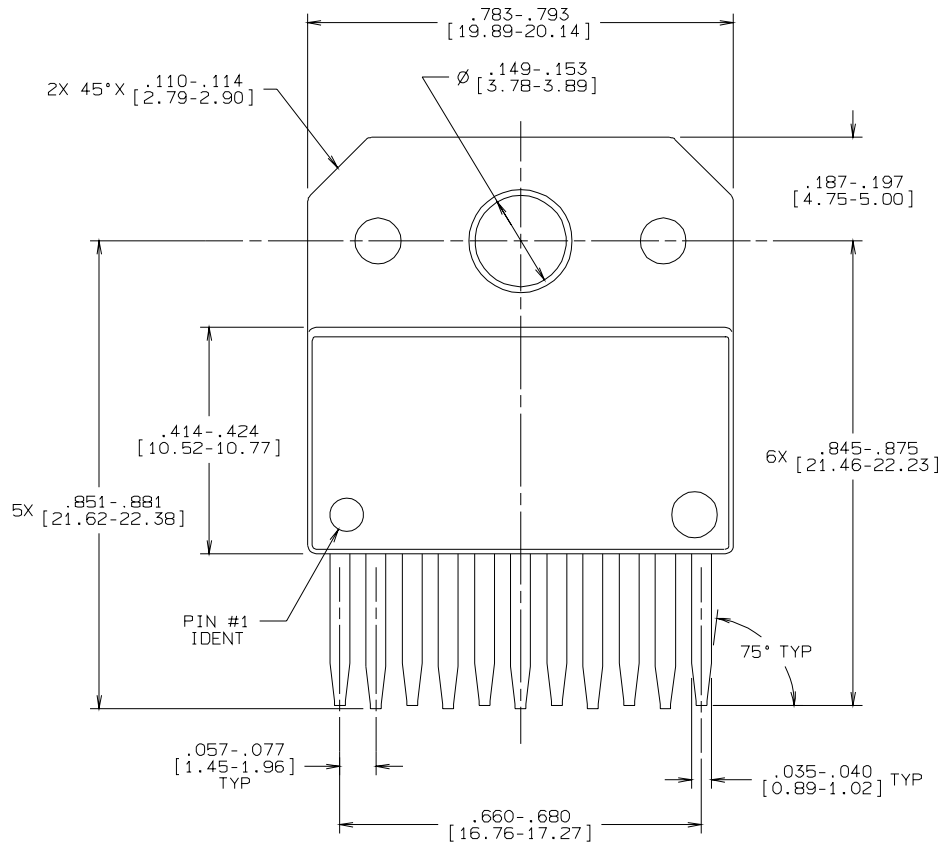


REVISIONS				
LTR	DESCRIPTION	E.C.N.	DATE	BY/APP'D
A	RELEASE TO DOCUMENT CONTROL	09435	11/18/92	MS/FL
B	CHANGE ALL DRAFT ANGLES TO BE 7°	09488	01/26/93	MS/FL
C	.783-.793 WAS .778-.798; .035-.040 WAS .034-.040; .014-.017 WAS .013-.017; REVISE NOTE 2.	10301	02/23/94	MS/



CONTROLLING DIMENSION: INCH

NOTES: UNLESS OTHERWISE SPECIFIED

- STANDARD LEAD FINISH:
200 MICROINCHES/ 5.08 MICROMETERS
MINIMUM LEAD/ TIN (SOLDER) ON COPPER.
- REFERENCE JEDEC REGISTRATION MO-168,
VARIATION AA, DATED JAN,94.

APPROVALS	DATE	NATIONAL SEMICONDUCTOR CORPORATION				
DRAWN MARTA SUCHY	11/18/92	2900 Semiconductor Drive, Santa Clara, CA 95052-8090				
DF TG. CHK.		TO-220, MOLDED, 11 LEAD, STAGGER, ISOLATED				
ENGR. CHK.						
APPROVAL		PROJECTION	SCALE	SIZE	DRAWING NUMBER	REV
			N/A	C	MKT-TF11B	C
		DO NOT SCALE DRAWING		SHEET 1 OF 1		