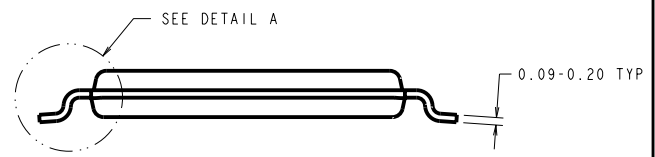
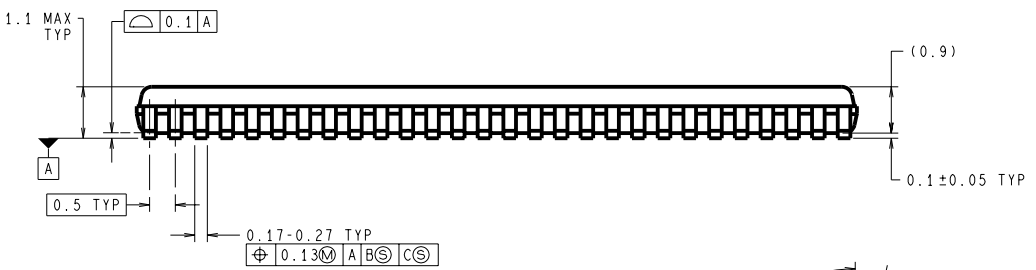
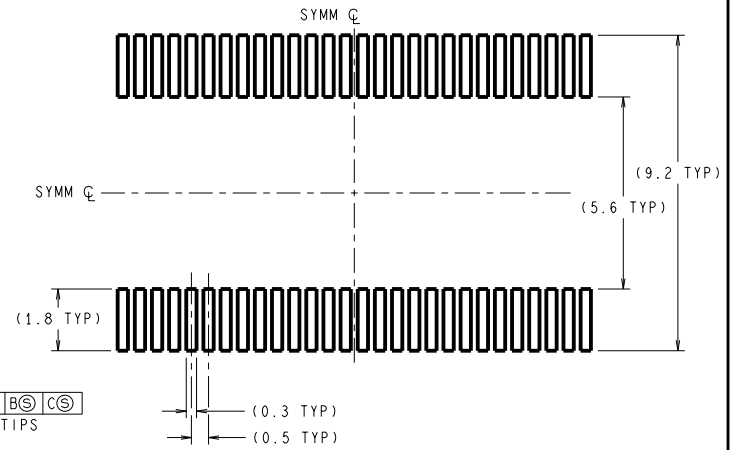
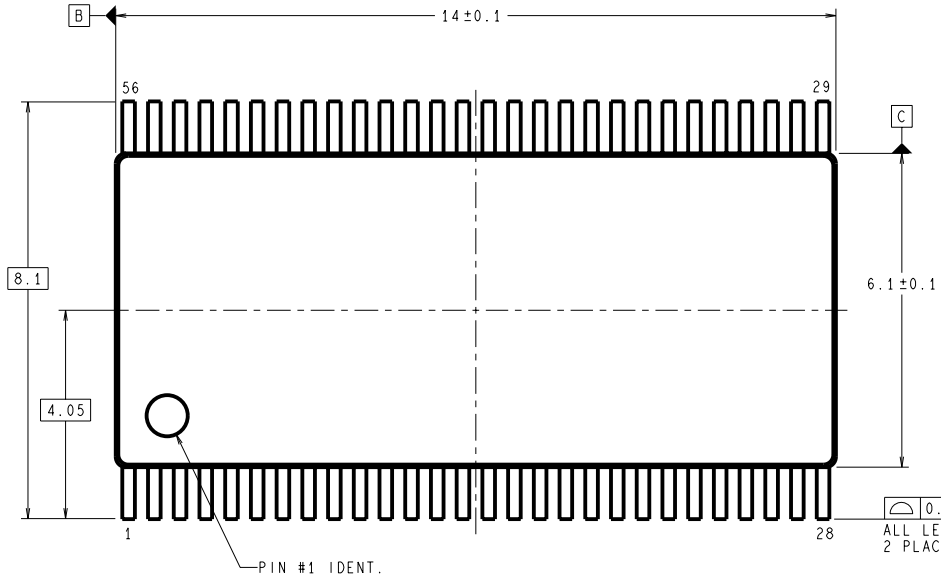
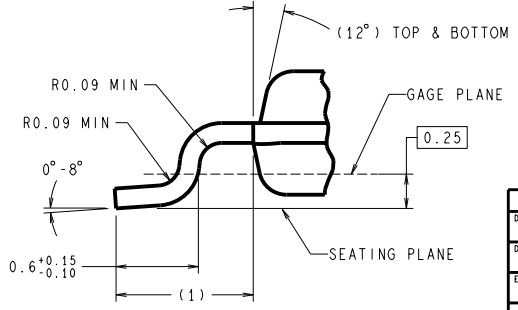


REVISIONS				
LTR	DESCRIPTION	E.C.N.	DATE	BY/APP'D
B	REDRAW ON PRO/E, ADD LAND PATTERN RECOMMENDATION.	11323	02/16/96	MS/



DIMENSIONS ARE IN MILLIMETERS



NOTES: UNLESS OTHERWISE SPECIFIED

1. REFERENCE JEDEC REGISTRATION MO-153, VARIATION EE, DATED FEB. 1995.

APPROVALS		DATE	National Semiconductor			
DRAWN	MARTA SUCHY	02/16/96	2900 Semiconductor dr., Santa Clara, CA 95052-8090			
DTG. CHK.			MOLDED TSSOP, JEDEC, 6.1mm BODY WIDTH, 56 LD, 0.50mm PITCH			
ENGR. CHK.						
PROJECTION		SCALE	SIZE	DRAWING NUMBER	REV	
		N/A	C	MKT-MTD56	B	
DO NOT SCALE DRAWING				SHEET 1 of 1		