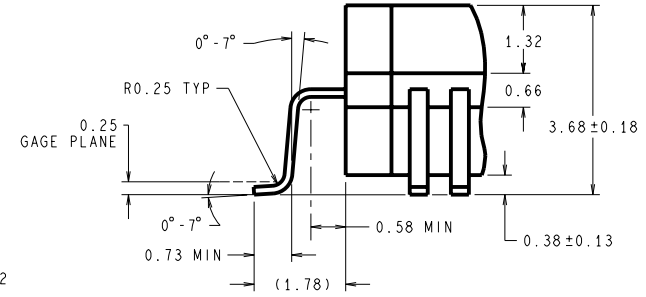
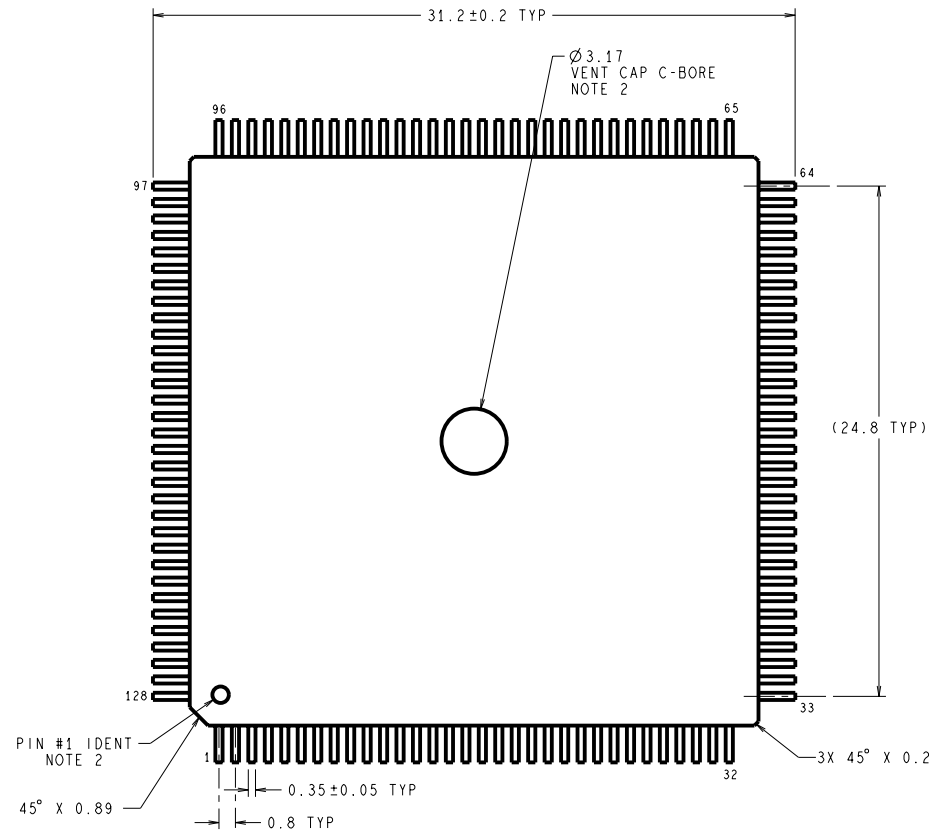
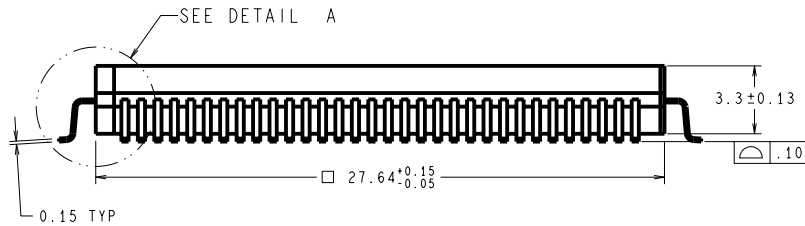


REVISIONS				
LTR	DESCRIPTION	E.C.N.	DATE	BY/APP'D
A	RELEASE TO DOCUMENT CONTROL	11320	01/26/96	MS/



DETAIL A  
TYP, SCALE: 15X  
NOTE 2



DIMENSIONS ARE IN MILLIMETERS

NOTES: UNLESS OTHERWISE SPECIFIED.

- STANDARD LEAD FINISH: 5.08 MICROMETERS MINIMUM SOLDER PLATING (85/15) THICKNESS.
- THE LEADS CAN BE FORMED FOR CAVITY UP OR DOWN:  
-THE VENT CAP WILL BE ON THE TOP FOR CAVITY UP (SHOWN)  
-THE VENT CAP WILL BE ON THE BOTTOM FOR CAVITY DOWN
- REFERENCE: OLIN DRAWING 04-128-YH-001, REV D, DATED 04/20/95.

APPROVALS	DATE	National Semiconductor			
DRAWN MARTA SUCHY	01/26/96	2900 Semiconductor dr., Santa Clara, CA 95052-8090			
DTG. CHK.		<b>MQAD, 28 X 28 X 3.3mm, 128 LEAD</b>			
ENGR. CHK.					
		SCALE N/A	SIZE C	DRAWING NUMBER MKT-AU128A	REV A
		DO NOT SCALE DRAWING SHEET 1 of 1			